

BENJAMIN

EXPLODED VIEW & PARTS LIST

MODELS ARMADA BTAP17, BTAP22, BTAP25



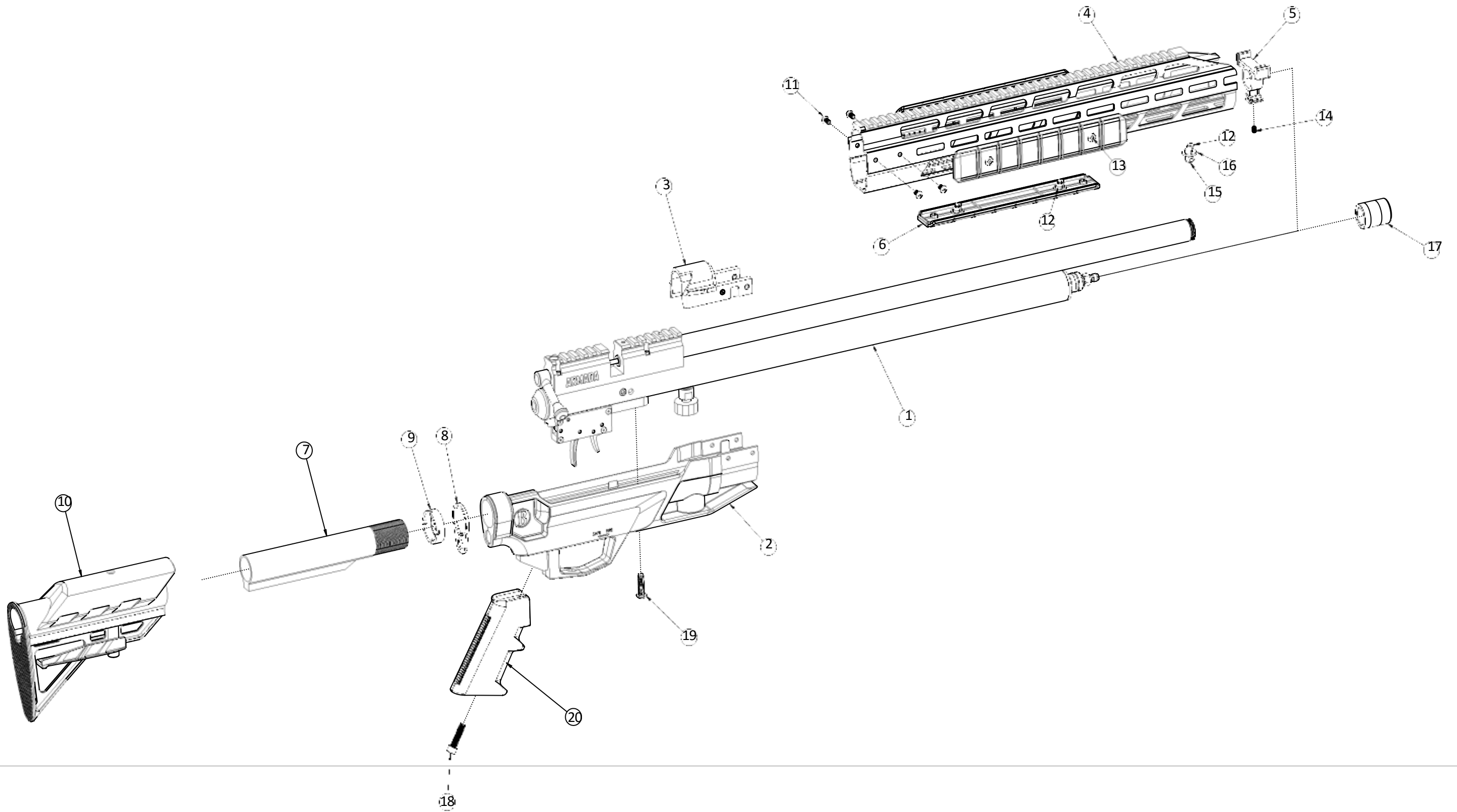
Manufacture Start Dates: 2/24/15

Last Update 5/24/16

CROSMAN
CORPORATION 7629
ROUTES 5 & 20
BLOOMFIELD, NY 14469
Phone: 1-800-724-7486
Parts Order Fax: 585-657-
5405 www.crosman.com

- This EVP and parts list is intended to be an informational guide in ordering parts. It is not instructional material and we therefore assume no responsibility for those who use the same without proper factory training.
- Please order by part number and description.
- Check or money order for the total price must accompany the order.
- For current prices contact Crosman Corporation at 1-800-724-7486 or visit our website www.crosman.com

GENERAL ASSEMBLY

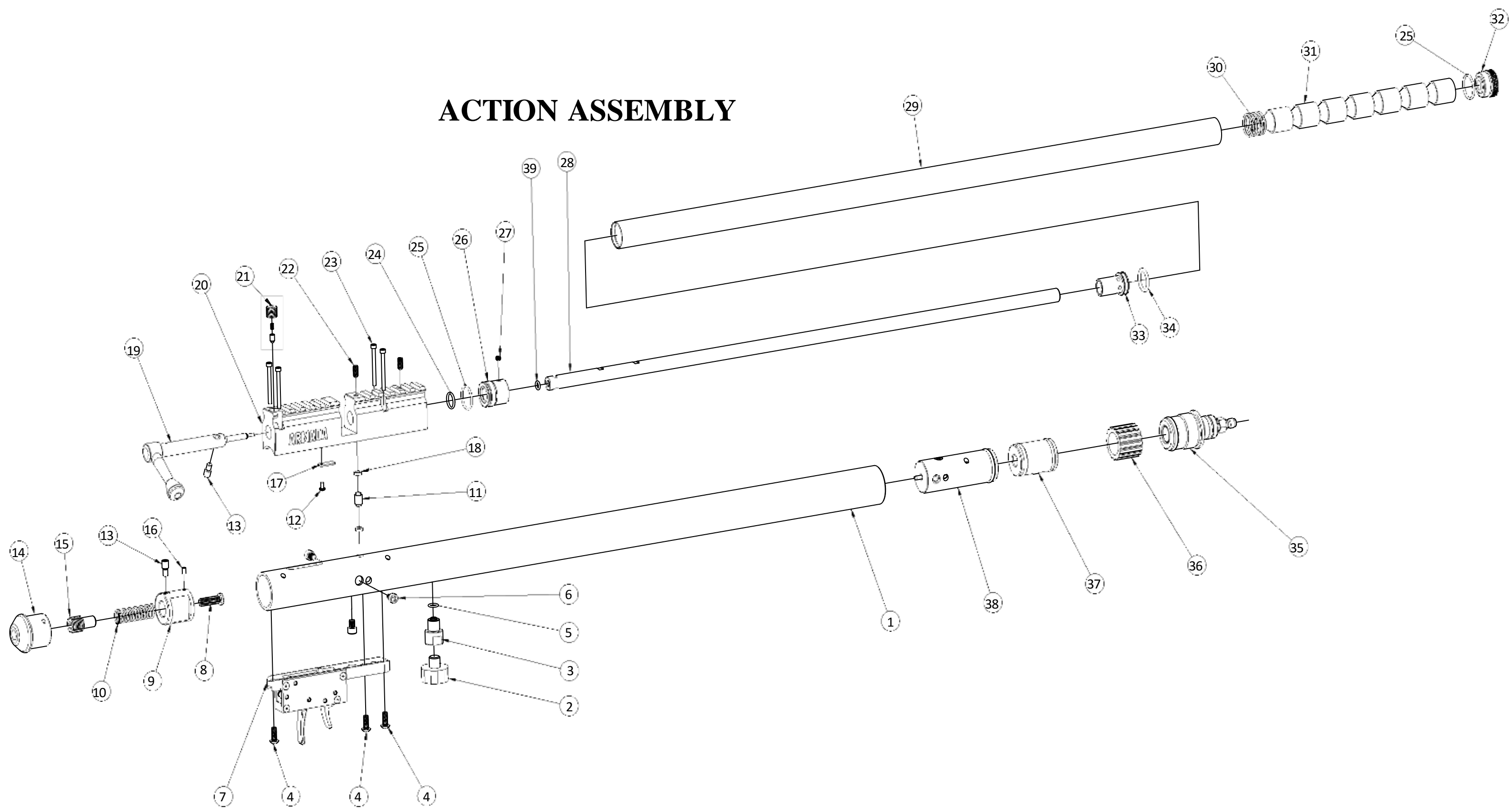


GENERAL ASSEMBLY PARTS LIST

Item	Part Number	Description	BTAP17 / BTAP17SX	BTAP22 / BTAP22SX	BTAP25 / BTAP25SX	Revisional Date
1	1764T-998 2264T-998 2564T-998	ASSY, ACTION, .177 CAL ARMADA ASSY, ACTION, .22 CAL ARMADA ASSY, ACTION, .25 CAL ARMADA	1	1	1	
2	2264T-001	RECEIVER	1	1	1	
3	2264T-002	CAP, RECEIVER	1	1	1	
4	2264T-003	HAND RAIL	1	1	1	
5	2264T-005	SUPPORT, FRONT	1	1	1	
6	2264T-006	RAIL PANEL	3	3	3	
7	2264T-010	BUFFER TUBE	1	1	1	
8	2264T-011	LOCK PLATE	1	1	1	
9	2264T-012	LOCK NUT	1	1	1	
10	2264T-100	BUTT STOCK ASSY	1	1	1	
11	2220-003	SCREW, 8-32 x .375 BHCS	4	4	4	
12	2264T-014	NUT PLATE, 10-32	7	7	7	
13	2264T-016	SCREW, 10-32 X .312, BHCS	6	6	6	
14	1763-023	SET SCREW, 8-32 x .25 FLTPT	1	1	1	
15	2264T-013	SWIVEL STUD	1	1	1	
16	2264T-015	WASHER, .610 x .277 x .085	1	1	1	
17	1763-011	CAP, FILL NIPPLE	1	1	1	
18	E357-148	1/4-28x1.000-SHCS W/PATCH	1	1	1	
19	1764-029	SCREW, 1/4-20 x .875 BHCS	1	1	1	
20	2264T-009	PISTOL GRIP, AR-15	1	1	1	
21	CBT-SETBIPOD	BIPOD	1	1	1	
22	LR416S1-999	SCOPE 4-16X56MM	1	1	1	
23	LM2PP30H-999	SCOPE RINGS	1	1	1	

CBT-SETBIPOD, LR416S1-999 AND LM2PP30H-999 GO WITH THE BTAP17SX, BTAP22SX AND BTAP25SX MODELS

ACTION ASSEMBLY



ACTION ASSEMBLY PARTS LIST

Item	Part Number	Description	1764T-998	2264T-998	2264T-998	Revisional Date
1	1764-001	TUBE, RESERVOIR	1	1	1	
2	1763-033	GAUGE, 3000 PSI	1	1	1	
3	1764-017	ADAPTER, GAUGE	1	1	1	
4	1763-035	SCREW, 8-32 x .437 BHCS	3	3	3	
5	1761A023	O-Ring, #2-009	1	1	1	
6	1763-019	SCREW, 10-32 X .25, SHCS	3	3	3	
7	1764-105	TRIGGER ASSY	1	1	1	
8	1763A036	STRIKER	1	1	1	
9	1763A015	HAMMER	1	1	1	
10	1764-009	SPRING, HAMMER	1	1	1	
11	1763-014	SLEEVE, TRANSFER PORT	1	1	1	
12	1700-020	SCREW, 3-48 x .188 PPH	2	2	2	
13	1700-018	STUD, BOLT	1	1	1	
14	1764-012	CAP, PRESSURE TUBE	1	1	1	
15	1763-038	GUIDE, HAMMER SPRING	1	1	1	
16	CH2009-023	PIN, ACETAL	1	1	1	
17	1764-008	PLATE, BOLT INDEXING	1	1	1	
18	130-036	BREECH GASKET	2	2	2	
19	1764-102 2264-102 2564-102	BOLT ASSY, .177 CAL BOLT ASSY, .177 CAL BOLT ASSY, .177 CAL	1	1	1	
20	1764T-004 2264T-004 2564T-004	BREECH, ARMADA .177 BREECH, ARMADA .22 BREECH, ARMADA .25	1	1	1	
21	1763-106	PLUNGER ASSEMBLY	1	1	1	
22	1763-021	SET SCREW, 8-32 x .375 FLTPT	2	2	2	
23	1763-027	SCREW, 4-40 x 1.25 SHCS	4	4	4	
24	190B-008	O-RING	1	1	1	
25	397-036	O-RING, #2-016, BUNA N	2	2	2	
26	1763-013 2563-013	MOUNT, SHROUD MOUNT, SHROUD	1	1	1	
27	88-089	SET SCREW 8-32 x 125 CUP HEX HD	1	1	1	
28	1763-017 2263-017 2563-017	BARREL, .177 CAL, 20" BARREL, .22 CAL, 20" BARREL, .25 CAL, 20"	1	1	1	
29	1763-005	SHROUD, BARREL	1	1	1	
30	1764-068	SPRING, BAFFLE	1	1	1	
31	1764-060	BAFFLE	7	7	7	
32	1764-010	CAP, SHROUD	1	1	1	
33	1763-020 2563-020	SPACER, BARREL SHROUD SPACER, BARREL SHROUD	1	1	1	
34	JTX-080	O-RING, 2-113	1	1	1	
35	1763-101	FILL ADAPTER ASSEMBLY	1	1	1	
36	1764-064	DAMPENER, RESONANCE	1	1	1	
37	1763-104	GAUGE PORT ASSY	1	1	1	
38	1764-100 2564-100	VALVE ASSEMBLY VALVE ASSEMBLY	1	1	1	
39	1763-058	O-RING, 1.5mm x 4mm, BUNA N	1	1	1	